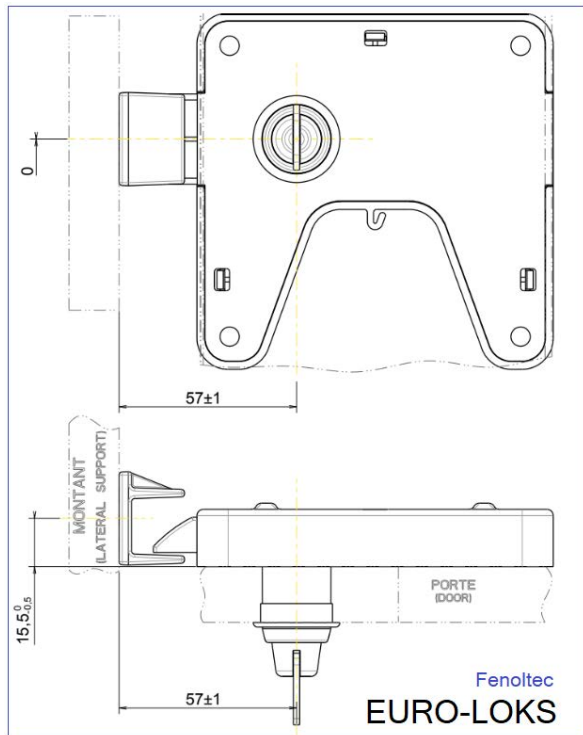
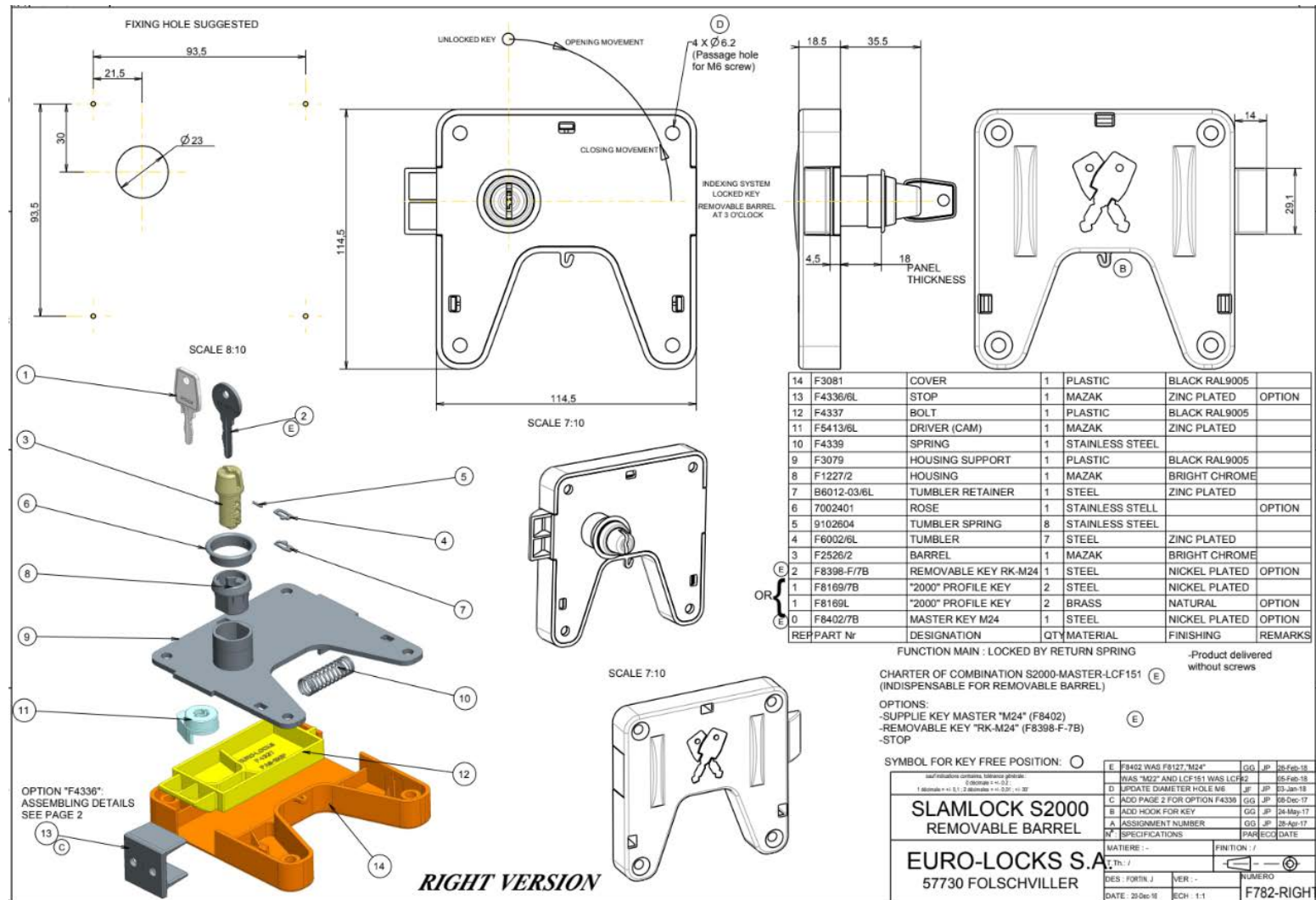


Ficha técnica: CERRADURA DE LLAVES

FIXING HOLE SUGGESTED

UNLOCKED KEY OPENING MOVEMENT

CLOSING MOVEMENT

INDEXING SYSTEM LOCKED KEY REMOVABLE BARREL AT 3 O'CLOCK

4 x Ø6.2 (Passage hole for M6 screw)

18.5 35.5

14 14

29.1

4.5 18 PANEL THICKNESS

REF	PART N°	DESIGNATION	QTY	MATERIAL	FINISHING	REMARKS
14	F3081	COVER	1	PLASTIC	BLACK RAL9005	
13	F4336/6L	STOP	1	MAZAK	ZINC PLATED	OPTION
12	F4337	BOLT	1	PLASTIC	BLACK RAL9005	
11	F5413/6L	DRIVER (CAM)	1	MAZAK	ZINC PLATED	
10	F4339	SPRING	1	STAINLESS STEEL		
9	F3079	HOUSING SUPPORT	1	PLASTIC	BLACK RAL9005	
8	F1227/2	HOUSING	1	MAZAK	BRIGHT CHROME	
7	B6012-03/6L	TUMBLER RETAINER	1	STEEL	ZINC PLATED	
6	7002401	ROSE	1	STAINLESS STEEL		OPTION
5	9102604	TUMBLER SPRING	8	STAINLESS STEEL		
4	F6002/6L	TUMBLER	7	STEEL	ZINC PLATED	
3	F2526/2	BARREL	1	MAZAK	BRIGHT CHROME	
2	F8398-F/7B	REMOVABLE KEY RK-M24	1	STEEL	NICKEL PLATED	OPTION
1	F8169/7B	"2000" PROFILE KEY	2	STEEL	NICKEL PLATED	
1	F8169L	"2000" PROFILE KEY	2	BRASS	NATURAL	OPTION
0	F8402/7B	MASTER KEY M24	1	STEEL	NICKEL PLATED	OPTION
	REF/PART N°	DESIGNATION	QTY	MATERIAL	FINISHING	REMARKS

FUNCTION MAIN : LOCKED BY RETURN SPRING

CHARTER OF COMBINATION S2000-MASTER-LCF151 (INDISPENSABLE FOR REMOVABLE BARREL)

OPTIONS:
- SUPPLIE KEY MASTER "M24" (F8402)
- REMOVABLE KEY "RK-M24" (F8398-F-7B)
- STOP

SYMBOL FOR KEY FREE POSITION: ○

MATIERE: / FINITION: /
T.N.: /
DES: FORTIL J VER: / NUMERO
DATE: 29/06/16 ECH: 1-1 F782-RIGHT

OPTION "F4336"
ASSEMBLING DETAILS
SEE PAGE 2

RIGHT VERSION